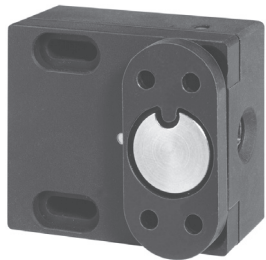


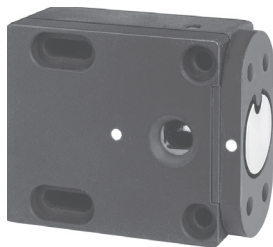


RUTHERFORD CONTROLS
A DORMA Group Company

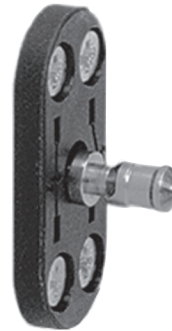
In or Out... we make it Easy!®



Top Mount



Side Mount



Dimensions

1-7/8"D x 1-5/8"W x 25/32"L
(48mm x 42mm x 20mm)

Features

- Surface-mounted compact electric lock
- Field selectable fail locked or fail unlocked
- Field selectable 12 or 24VAC/DC
- Zinc-plated (rust-resistant) steel locking pin assembly
- 200 lbf. (91 kgf.) holding force
- Low energy consumption
- Black finish

Options

MS – Monitoring switch
(allows monitored access to small enclosures)

3510 Compact Cabinet Lock

This compact electric lock allows controlled access to very small enclosures. An optional monitoring switch is available to indicate whether the mechanism is locked or unlocked.

Side or top mounting capability make this easily installed, low-profile lock suitable for a variety of applications.

Positioning of the locking pin determines lock mode. A simple twist of the pin changes the lock from fail unlocked to fail locked during installation.

Four countersunk mounting holes are provided to securely mount the lock and pin assembly.

Highlights

- Field selectable lock mode and voltage
- Versatile side or top mounting
- Elongated holes for adjustable mounting
- 3-year limited warranty

Applications

INTERIOR

- Retail
- Government
- Health Care
- Institutional
- Commercial
- Residential
- Filing Cabinets
- Cash Drawers
- Drug Cabinets
- Showcases
- Jewelry Cases
- Desk Drawers
- Key Cabinets
- Vending Machines
- Machine Access Covers

Specifications

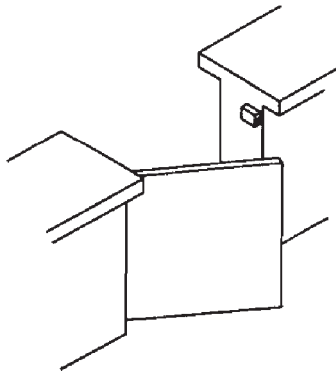
3510
3510MS



In or Out... we make it Easy!®

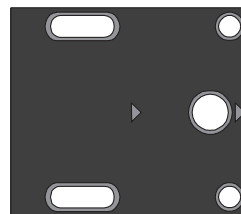
Specifications		
Lock Housing	1-7/8" D x 1-5/8" W x 25/32" L (48mm x 42mm x 20mm) Polycarbonate	
Locking Pin Assembly	3/16" (4.5mm)	
Operating Voltage	12/24VAC intermittent ±10%; 12/24VDC continuous ±10%	
Mode of Operation	Fail Unlocked or Fail Locked	
Cycle Rating	500,000 cycles	
Current Consumption	260 mA @ 12VDC 130 mA @ 24VDC	140 mA @ 12VAC 70 mA @ 24VAC
Holding Force	200 lbf. (91 kgf.)	
Operating Temperature	10 to 40°C ; 50 to 104°F	
Power Requirements	The compact locking units 3510 and 3510MS can be operated with RCI's 10 Series transformer and regulated power supplies.	
MS Contact Rating	1A @25V; Model 3510MS incorporates an optional contact which monitors the state of the lock (locked or unlocked).	

Counter Door or Showcase Application

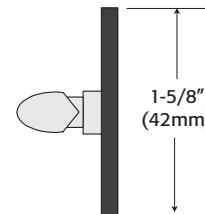


Side View

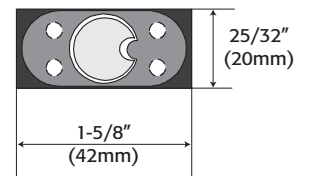
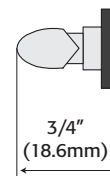
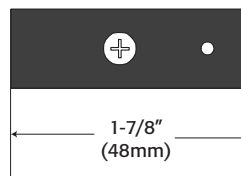
Lock



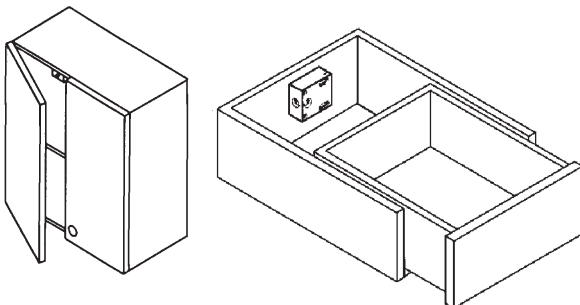
Locking Pin Assembly



Top View



Cabinet or Drawer Application



NOTE: Not to scale. Specifications are subject to change without notice.

RCI also offers a complete line of Electromagnetic Locks, Electric Strikes, Power Supplies, Switches, Keypads & Readers, Exit Devices, Systems & Door Hardware.