

GENERAL PURPOSE OUTDOOR HOUSINGS - LCH



DESCRIPTION

The LCH is our low cost standard camera outdoor housing that accommodates camera/lens combinations up to 8" long. The body is an attractive beige finish and features a front hinged top with latch closing. An aluminum wall mount is included. A heater/blower model is also available.

FEATURES

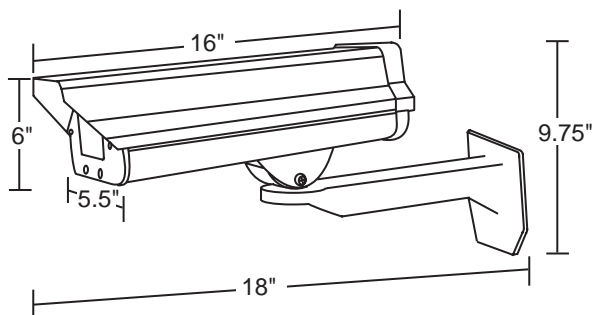
- Front hinge with latch closing
- Accepts camera/lens combinations to 8"
- Optional 24 VAC heater/blower model available

ARCHITECTURAL/ENGINEERING SPECIFICATIONS

The LCH housing shall be comprised of an aluminum body with plastic end caps. A clear viewing window shall be glued to the inside of the front end cap. The top of the housing shall be hinged from the front and shall be held closed by a latch located on the back of the housing. An aluminum wall mount shall be included. The housing shall accommodate camera/lens combinations up to 8", and cameras shall be mounted to an adjustable sled inside the housing. A model shall be available which includes a 24 VAC heater. Wire entry shall be via one strain relief plug located on the bottom rear of the housing.

MODELS

- LCH** - Outdoor housing with clear window and front hinged opening
- LCHHB** - LCH with heater/blower



ELECTRICAL SPECIFICATIONS

Power Source

LCHHB - 24 VAC, 50/60 Hz

Heater - 24 VAC, 25 vA, 1.04 Amps

Blower - 24 VAC, input (RECTIFIED), 1.4 vA

SHIPPING SPECIFICATIONS

Model	Unit Weight	Shipping Weight	Shipping Box Dim.
LCH	4 lbs	4 Grd/4 Air	17 x 5 x 6
LCHHB	5 lbs	5 Grd/5 Air	17 x 5 x 6

* Shipping weights depend on box dimensions.

Product specifications are subject to change without notice.